



GAS TEST GAUGE

- Hex or Bell Type mounting
- 15 to 100 Psi pressure ranges
- Steel case and brass internals

Use to pressure test all new gas installations for leaks and passing inspection codes. After installing Gas Test Gauge, the system is pressurized with air. Any leakage will be indicated by a pressure drop on the gauge. Typical applications include testing of gas and other pressure media.

SPECIFICATIONS

ACCURACY

ASME Grade $\pm 3/2/3\%$ ($\pm 2\%$ of range across middle half of scale)

CASE SIZES

2" diameter

CASE MATERIAL

Steel, black painted

MOUNTING STYLE

Reducing Bell or Hex Style

HOUSING MATERIAL

Reducing Bell: Iron, black painted
Hex Body: Steel, Zinc Dichromate Plated

TUBE & SOCKET

Copper alloy

MOVEMENT

Brass

CONNECTION

$3/4$ " FPT

RANGES

15 to 100 psi

DIAL STANDARD

Single Scale psi

DIAL COLOR

Black markings on white

POINTER

Aluminum, black painted

WINDOW

Polycarbonate

WEIGHT 0.5 lb.

STANDARD RANGES & PART NUMBERS

TYPE	GAS TEST GAUGES	
Size	2"	
Case Material	Steel	
Internals	Copper Alloy	
Connection	$3/4$ " FPT	
Scale Standard	psi	
Mounting style	Bell Type	Hex Type
0 to 15 psi	G33522	G33526
0 to 30 psi	G33523	G33527
0 to 60 psi	G33524	G33528
0 to 100 psi	G33525	G33529



SERVICEMAN'S TEST GAUGE

- Recalibrator and Restrictor Standard
- Heavy Duty Brass Case
- Clam Shell Packaging Optional

Marsh Instruments Deluxe Serviceman's Test Gauge is designed to assure the modern serviceman the best possible gauge for testing refrigeration equipment. Corresponding, easy-to-read temperature scales are printed in red on the inner arcs of the dial face.

Typical applications include testing, servicing and recharging AC and R systems.



STANDARD RANGES & PART NUMBERS

TYPE	SERVICEMAN'S TEST GAUGES		
Size	2 1/2"		
Case Material	Brass		
Internals	Copper Alloy		
Mounting/Case Style	LM		
Connection	1/8 NPT		
Scale Standard	psi & temperature (°F)		
30" X 350 psi	W0070	R-12, 22, 502	Carton
30" X 350 psi	W0070Q	R-12, 22, 502	Clam Shell
0 to 500 psi	W0072	R-12, 22, 502	Carton
0 to 500 psi	W0072Q	R-12, 22, 502	Clam Shell
Set of (2) W0070 & W0072	W0074	R-12, 22, 502	Carton Only
30" X 350 psi	W8070	R-134a, 404A, 507	Carton
30" X 350 psi	W8070Q	R-134a, 404A, 507	Clam Shell
0 to 500 psi	W8072	R-134a, 404A, 507	Carton
0 to 500 psi	W8072Q	R-134a, 404A, 507	Clam Shell
30" x 500 psi	W8115	R-22, 407C, 410A	Carton
30" x 500 psi	W8115Q	R-22, 407C, 410A	Clam Shell
0 to 800 psi	W8127	R-22, 407C, 410A	Carton
0 to 800 psi	W8127Q	R-22, 407C, 410A	Clam Shell

SPECIFICATIONS

ACCURACY
ASME Grade B - ±3/2/3% (±2% of range across middle half of scale)

CASE SIZE
2 1/2" diameter

CASE MATERIAL
Polished brass

CASE STYLE
LM - Lower Mount

TUBE & SOCKET
Copper Alloy

MOVEMENT
Brass with recalibrator

CONNECTION
1/8 NPT with Restrictor Standard

RANGES
0-500 psi, 30" Hg VAC to 120 psi retarded to 350 psi

DIAL STANDARD
psi with corresponding temperature scales

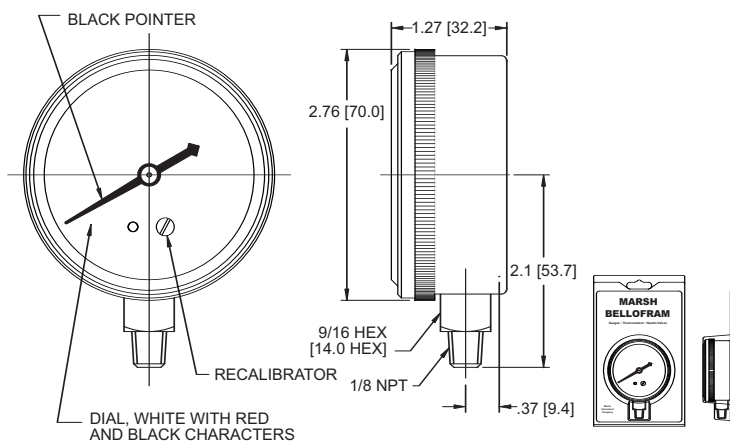
DIAL COLOR
Black markings on white with red or blue temperature scales

POINTER
Aluminum, black painted

WINDOW
Beveled glass

RECALIBRATOR
Standard

WEIGHT 5 lb.



ALL DIMENSIONS ARE NOMINAL



HVAC/R Gauges



MANIFOLD GAUGE

- Recalibrator and Restrictor Standard
- Color Coded Cases, "Reds" & "Blues"
- Overpressure Protection to 350 psi

These gauges are designed for the pressure measurement of refrigeration systems. All dials are furnished with corresponding temperature scales for the various refrigerants. Dials feature R-12, R-22, and R-502. Standard connections are 1/8" NPT lower mount with your choice of red or blue case.

Marsh Manifold Gauges are used in refrigeration applications for testing, servicing, and recharging AC and R Systems.



SPECIFICATIONS

ACCURACY

ASME Grade B - $\pm 3/2/3\%$ (2% of range across middle half of scale)

CASE SIZE: 2 1/2" diameter

CASE MATERIAL

Steel or plastic, red or blue

TUBE & SOCKET

Copper alloy

MOVEMENT

Brass with recalibrator

CONNECTION

1/8" NPT with Restrictor Standard

RANGES

0-500 psi, 30" Hg VAC to 120 psi retarded to 350 psi

DIAL STANDARD

psi with corresponding temperature scales

DIAL COLOR

Black markings on white with red or blue temperature scales

POINTER

Aluminum, black painted

WINDOW

Impact resistant plastic

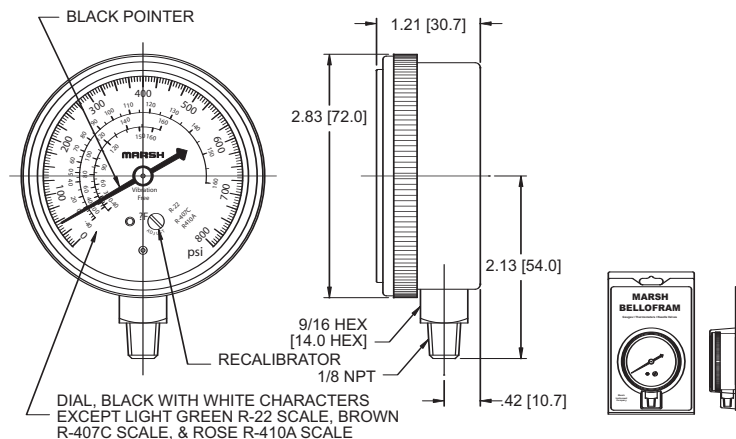
RECALIBRATOR

Standard

WEIGHT 0.5 lb

STANDARD RANGES & PART NUMBERS

TYPE		MANIFOLD GAUGES			
Size	2 1/2"				
Case Material	Steel				
Internals	Copper Alloy				
Mounting/Case Style	LM				
Connection	1/8" NPT				
Scale Standard	psi & temperature (°F)				
30" X 350 psi	W0011	R-12, 22, 502	Blue Case	Carton	
30" X 350 psi	W0011Q	R-12, 22, 502	Blue Case	Clam Shell	
0 to 500 psi	W0023	R-12, 22, 502	Red Case	Carton	
0 to 500 psi	W0023Q	R-12, 22, 502	Red Case	Clam Shell	
30" X 350 psi	W8011	R-134a, 404A & 507	Blue Case	Carton	
30" X 350 psi	W8011Q	R-134a, 404A & 507	Blue Case	Clam Shell	
0 to 500 psi	W8023	R-134a, 404A & 507	Red Case	Carton	
0 to 500 psi	W8023Q	R-134a, 404A & 507	Red Case	Clam Shell	
30" X 500 psi	W8015	R-22, 407C & 410A	Blue Case	Carton	
30" X 500 psi	W8015Q	R-22, 407C & 410A	Blue Case	Clam Shell	
0 to 800 psi	W8027	R-22, 407C & 410A	Red Case	Carton	
0 to 800 psi	W8027Q	R-22, 407C & 410A	Red Case	Clam Shell	
30" X 350 psi	J7622PQ-001	R-12, 22, 502	S/S Case	Clam Shell	Liquid Filled
0 to 500 psi	J7662PQ-001	R-12, 22, 502	S/S Case	Clam Shell	Liquid Filled
30" X 350 psi	J7622PQ-002	R-134a, 404A & 507	S/S Case	Clam Shell	Liquid Filled
0 to 500 psi	J7662PQ-002	R-134a, 404A & 507	S/S Case	Clam Shell	Liquid Filled



ALL DIMENSIONS ARE NOMINAL



REFRIGERATION AMMONIA GAUGE

- Range 30" Hg to 150 psi or 300 psi
- Case Sizes: 63mm and 3 1/2"
- ASME Grade B

Marsh Ammonia Gauges include a restrictor that protects the gauge against sudden shock or pulsating pressure. The inner dial arc shows pressure, outer arc shows the corresponding temperature scale. Marsh Refrigeration Ammonia Gauges are available in a stainless steel case.

Marsh Instruments Refrigeration Ammonia Gauges are designed for use on ammonia compressors and other ammonia refrigeration equipment.



STANDARD RANGES & PART NUMBERS

TYPE	REFRIGERATION AMMONIA GAUGES	
Size	63mm	3 1/2"
Case Material	Stainless Steel	Stainless Steel
Internals	Stainless Steel	Stainless Steel
Mounting / Case Style	LM	LM
Scale Standard	psi & Ammonia (°F)	psi & Ammonia (°F)
Connection	1/4 NPT	1/4 NPT
30" Hg VAC to 150 psi	W0104	W0112
30" Hg VAC to 150 psi	W0104Q	
30" Hg VAC to 300 psi	W0108	W0116
30" Hg VAC to 300 psi	W0108Q	

NOTE: Items are available on special order. However, minimums and lead times apply. Consult factory.

REFRIGERATION AMMONIA GAUGE OPTIONS

OPTION	TYPE	SUFFIX	
Fill Medium	Glycerine (GL)	P	All Models
	Silicone (SL)	PI	All Models
Custom Dials	Logo or Custom face	M	Consult factory for colors and minimums

SPECIFICATIONS

ACCURACY
ASME Grade B - ± 3/2/3% (± 2% of range across middle half of scale)

CASE SIZES
63mm and 3 1/2" diameter

CASE MATERIAL
304 Stainless steel

CASE STYLE
LM - Lower Mount

TUBE & SOCKET Stainless steel

MOVEMENT Brass

CONNECTION 1/4 NPT

RANGES
Compound 30" Hg Vac to 150 psi or 30" Hg Vac to 300 psi

DIAL STANDARD
Single scale psi with corresponding Ammonia temperature scales

DIAL COLOR
Black markings on white

POINTER
Aluminum, black painted

WINDOW Polycarbonate

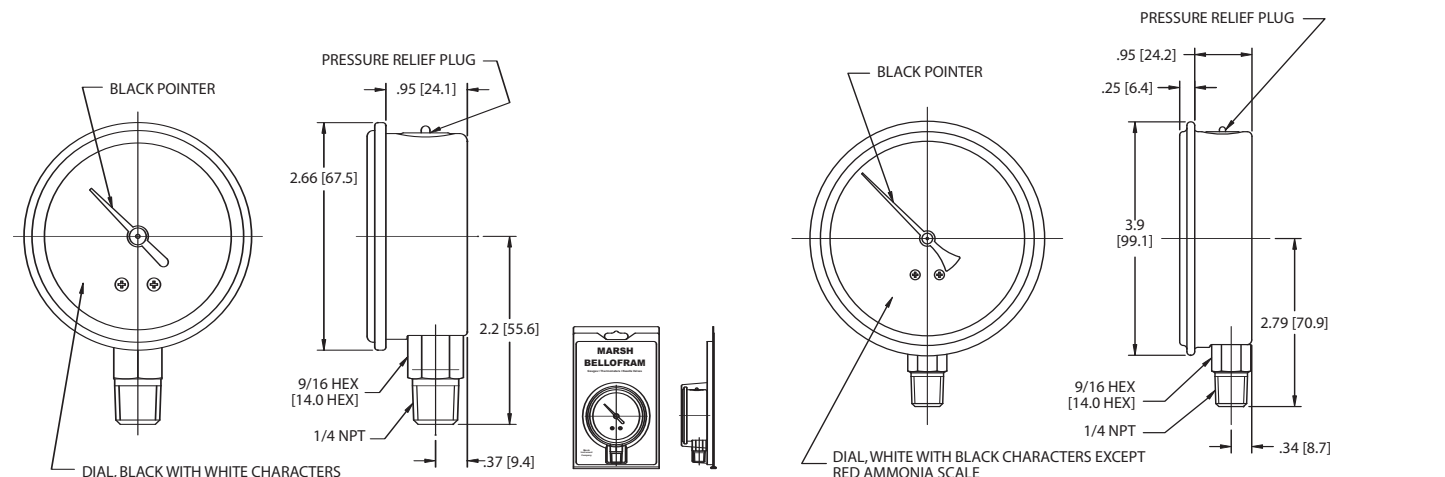
RESTRICTORS Standard

PACKAGING
Optional clam shell packed gauges are on 4 1/2" X 6 1/8" cards, pre-punched for pegboard hanging

WEIGHT
63 mm 0.5 lb.
3 1/2" 1.0 lb.

63MM	3 1/2"
------	--------

ALL DIMENSIONS ARE NOMINAL





REFRIGERATION GAUGE

- Color Coded Dial
- Adjustable Pointer Standard

Marsh Refrigeration Gauges are sturdily constructed and tested to give long, continuous, accurate service. In addition to the standard pressure or compound scale, dials also show the corresponding temperature scales for R-12, R-22, and R-502, in the various combinations shown in the chart below. Dial markings are sharp, clear and easy to read.

Marsh Instruments Refrigeration Gauges are designed specifically for use on refrigeration systems.



SPECIFICATIONS

ACCURACY

ASME Grade B - $\pm 3/2/3\%$ (2% of range across middle half of scale)

CASE SIZES

2 1/2" and 3 1/2" diameter

CASE MATERIAL

Steel, black painted

CASE STYLE LM - Lower Mount

TUBE & SOCKET Copper alloy

MOVEMENT Brass

CONNECTION

1/2 or 1/4 NPT

RANGES

Compound 30" Hg Vac to 150 psi, 30" Hg Vac to 300 psi, 0 to 300 psi

DIAL STANDARD

psi with corresponding temperature scales

DIAL COLOR

Black markings on white with red temperature scales

POINTER

Aluminum, black painted, adjustable

WINDOW Acrylic Clearlok

RESTRICTORS Standard

OPTIONS Consult factory

WEIGHT 0.5 lb

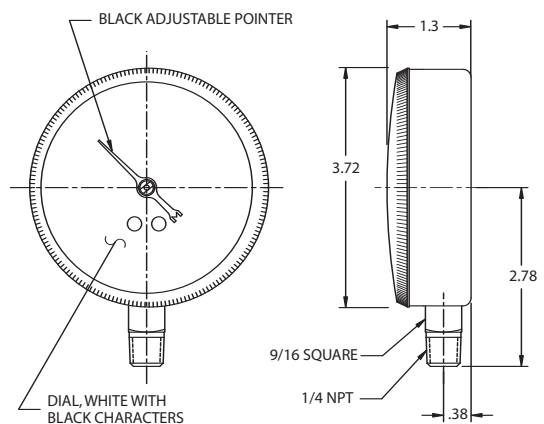
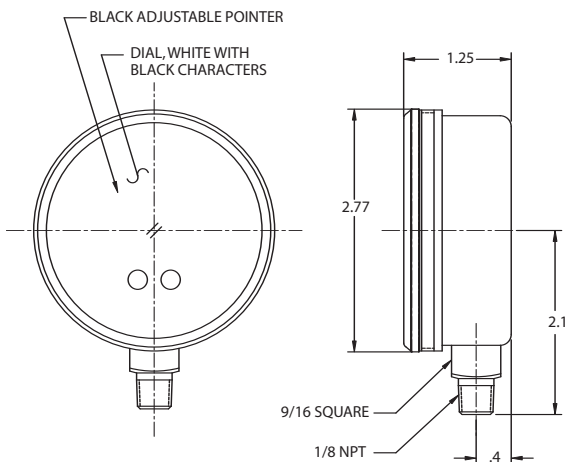
STANDARD RANGES & PART NUMBERS

TYPE	REFRIGERATION GAUGES	
Size	2 1/2"	3 1/2"
Case Material	Steel	
Internals	Copper Alloy	
Mounting/Case Style	LM	LM
Connection	1/2 NPT	1/4 NPT
Scale Standard	psi and temperature (°F)	
R-12		
30" Hg VAC 150 psi	W0002	W0030
0 to 300 psi	W0016	W0034
R-22		
30" Hg VAC to 150 psi		W0032
R-12 & R-22		
30" Hg VAC 150 psi	W0004	
30" Hg VAC 300 psi	W0012	
0 to 300 psi	W0018	

NOTE: Items are available on special order. However, minimums and lead times apply. Consult factory.

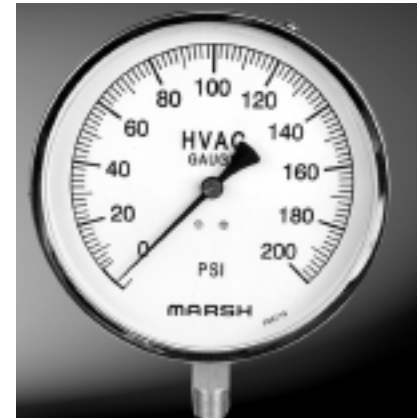
2 1/2"

3 1/2"



ALL DIMENSIONS ARE NOMINAL





SPECIFICATIONS

ACCURACY	ASME Grade A – $\pm 2\frac{1}{2}\%$ (1% of range across middle half of scale)
CASE SIZE	4½" diameter
CASE MATERIAL	Polished stainless steel
CASE STYLE	LM – Lower Mount
TUBE & SOCKET	Copper alloy
MOVEMENT	Brass sector and pinion
CONNECTION	¼ NPT
RANGES	Compound 30" Hg Vac to 160 psi; 30 to 600 psi
DIAL STANDARD	Single scale psi
DIAL COLOR	Black markings on white
POINTER	Aluminum, black painted
WINDOW	Acrylic
WEIGHT	1.0 lb

CONTRACTOR'S GAUGE

- 4½" Dial
- Polished Stainless Steel Case
- Adjustable Pointer
- 1% Accuracy

Marsh Instruments Contractor's HVAC Service Gauge is a newly redesigned gauge with a long-life movement to meet the needs of contractors in air conditioning, heating, plumbing and refrigeration. This rugged and reliable gauge is economically priced and offers many features normally found on more expensive gauges such as adjustable pointer, acrylic lens and polished stainless steel case.

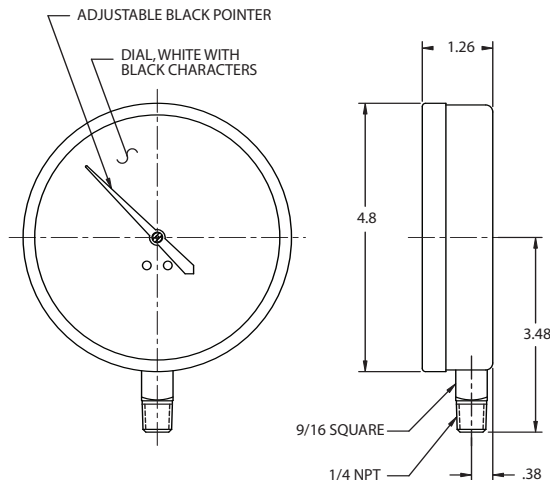
Marsh Instruments Contractor's Gauges are designed for use on plumbing and HVAC equipment.

STANDARD RANGES & PART NUMBERS

TYPE	CONTRACTOR'S GAUGES
Size	4½"
Case Material	Polished Stainless Steel
Internals	Copper Alloy
Mounting / Case Style	LM
Connection	¼ NPT
Scale Standard	psi
30" Hg VAC to 30 psi	W0480
30" Hg VAC to 160 psi	W0487
0 to 30 psi	W0481
0 to 60 psi	W0483
0 to 100 psi	W0484
0 to 160 psi	W0486
0 to 200 psi	W0488
0 to 300 psi	W0490
0 to 600 psi	W0492

CONTRACTOR'S GAUGE OPTIONS

OPTION	TYPE	SUFFIX	AVAILABLE ON MODELS
Restrictors	Push Fit .008 or .018	H	all models
Catalog dials	psi and kPa	W3	all models
All other dials - consult factory for lead time			25 Piece minimum



ALL DIMENSIONS ARE NOMINAL



HVAC/R Gauges



HEATING SYSTEM GAUGE

- Adjustable Set Hand
- Ranges to 300 psi and 690 Feet of Water
- 3½" and 4½" Dials

Marsh Instruments Heating System Gauges are available in 3½" and 4½" dial sizes in the most popular ranges. An adjustable red altitude pointer is standard on feet-of-water gauges. This feature allows the user to indicate the head of water to be maintained in the system.

Marsh Instruments Heating System Gauges provide accurate psi and feet-of-water measurements in elevated tanks, reservoirs, standpipes, and similar applications where reliability and dependability are crucial in heating system equipment.



SPECIFICATIONS

ACCURACY

3½" ASME Grade B – ±3/2/3%
(2% of range across middle half of scale)

4½" ASME Grade A – ±2/1/2%
(1% of range across middle half of scale)

CASE SIZE 3½" and 4½" diameter

CASE MATERIAL

3½": Steel, black painted

4½": Aluminum back flange case, black painted

CASE STYLE LM – Lower Mount

TUBE & SOCKET Copper alloy

MOVEMENT

3½": Brass

4½": Stainless steel

CONNECTION ¼ NPT

RANGES

Dual Scale 15 to 300 psi and 300 to 690 ft. H₂O

DIAL STANDARD

psi, ft. H₂O and metric

DIAL COLOR

Black markings on white

POINTER

Aluminum, black painted with red set hand

WINDOW

3½": Acrylic Clearlok

4½": Instrument Glass

WEIGHT

3½" 2.0 lb.

4½" 2.0 lb.

STANDARD RANGES & PART NUMBERS

TYPE	HEATING SYSTEM HVAC/R GAUGES	
Size	3½"	4½"
Case Material	Steel	Aluminum
Internals	Copper Alloy	Copper Alloy
Mounting / Case Style	LM	LM
Connection	¼ NPT	¼ NPT
Scale Standards	psi, ft. H ₂ O and metric	psi, ft. H ₂ O and metric
0 to 15 psi and 0 to 30 ft H ₂ O		W0456
0 to 30 psi and 0 to 70 ft H ₂ O	W0450	W0457
0 to 100 psi and 0 to 230 ft H ₂ O	W0451	W0458
0 to 150 psi and 0 to 345 ft H ₂ O		W0459
0 to 160 psi and 0 to 370 ft H ₂ O	W0452	
0 to 200 psi and 0 to 460 ft H ₂ O	W0453	W0460
0 to 300 psi and 0 to 690 ft H ₂ O	W0454	W0461

NOTE: Items are available on special order. However, minimums and lead times apply. Consult factory.

HEATING SYSTEM GAUGE OPTIONS

OPTION	TYPE	SUFFIX	AVAILABLE ON MODELS
Restrictors	Special Restrictor	H	All models
Custom Dials	Logo or Custom face	M	Consult factory for colors and minimums

3½" Steel 4½" Aluminum

ALL DIMENSIONS ARE NOMINAL

