

ABS & Stainless Steel Case, Liquid Filled



900 SERIES

- High quality liquid filled gauge
- Vacuum and compound ranges through 0 psi to 15,000 psi
- 1-1/2", 2", 2-1/2" and 4" gauge sizes
- Impact-resistant ABS and Stainless Steel case
- Copper alloy and Brass wetted parts

OPERATING SPECIFICATIONS

1. Working Pressure Limitations

a. Dynamic Pressure

The working pressure should be limited to 60% of the dial range.

b. Static Pressure

The working pressure, where no sharp fluctuations occur, should be limited to 90% of the dial range

APPLICATIONS

- Automotive
- Construction
- Hydraulics & pneumatics
- Power generation
- Transportation
- Water management

	SERIES	SPECIFICATIONS
Pressure ranges	900 Series (all)	Vacuum and compound ranges through 0 psi to 15,000 psi
Accuracy	15-910	±2.5% full scale
	25-900, 25-910, 25-901, 25-911	±1.6% full scale
	40-901, 40-911	±1% full scale
Temperature ranges*	900 Series (all)	Media -4 °F to 140 °F (-20 °C to 60 °C) Glycerin fill -40 °F to 140 °F (-40 °C to 60 °C) Special fill Ambient -4 °F to 140 °F (-20 °C to 60 °C) Glycerin fill -40 °F to 140 °F (-40 °C to 60 °C) Special fill
Measuring element	900 Series (up to 600 psi)	Copper alloy C-Type Bourdon tube
	900 Series (> 600 psi)	Coiled safety tube
Connection	15-910	1/8" NPT, Brass
	25-900, 25-910, 25-901, 25-911	1/4" NPT or 7/16"-20 adjustable, Brass
	40-901, 40-911	1/4" NPT, Brass 1/2" NPT, Brass
Case	15-910, 25-900, 25-910	ABS with safety relief plug
	25-901, 25-911, 40-901, 40-911	304 Stainless Steel
Bezel	25-901, 25-911, 40-901, 40-911	304 Stainless Steel
Lens	15-910, 25-900, 25-910	Acrylic; ultrasonically welded to the case
	25-901, 25-911, 40-901	Polycarbonate
Pointer	15-910, 25-900, 25-910, 25-901, 25-911	Molded plastic
	40-901, 40-911	Balanced Aluminum, black finish
Dial	15-910, 25-900, 25-910, 25-901, 25-911	Molded plastic, white background with black primary scale & red secondary scale. UV resistant
	40-901, 40-911	Aluminum, white background with black primary scale & red secondary scale. UV resistant.
Movement	15-910, 25-900, 25-910, 25-901, 25-911	Brass and nylon with highly polished bearing surfaces
Fill liquid**	15-910	86.5/13.5 Glycerin:H ₂ O

* For every 18 °F (10 °C) shift in temperature from which the gauge is calibrated, the user can experience up to ±0.4% additional error.

** See page 51 for gauge fill options.

For details on accuracy/standard dial configuration and dial layouts, see pages 56-61.



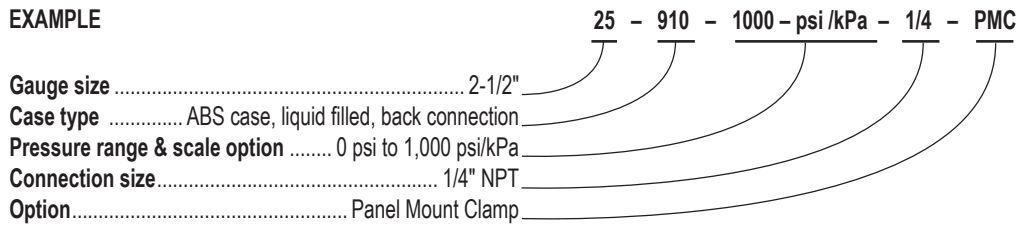
ORDERING INFORMATION				
GAUGE SIZES	15 1-1/2"	20 2"	25 2-1/2"	40 4"
CASE TYPES	900 ABS Case, bottom connection 901 SS Case, bottom connection		910 ABS Case, back connection 911 SS Case, back connection	
PRESSURE RANGES	30vac -30 inHg to 0 psi 30/15 -30 inHg to 0 to 15 psi 30/30 -30 inHg to 0 to 30 psi 30/60 -30 inHg to 0 to 60 psi 30/100 -30 inHg to 0 to 100 psi 30/160 -30 inHg to 0 to 160 psi 30/200 -30 inHg to 0 to 200 psi 30/300 -30 inHg to 0 to 300 psi 15 0 psi to 15 psi 30 0 psi to 30 psi 60 0 psi to 60 psi	100 0 psi to 100 psi 160 0 psi to 160 psi 200 0 psi to 200 psi 300 0 psi to 300 psi 400 0 psi to 400 psi 600 0 psi to 600 psi 800 0 psi to 800 psi 1000 0 psi to 1,000 psi 1500 0 psi to 1,500 psi 2000 0 psi to 2,000 psi 3000 0 psi to 3,000 psi	5000 0 psi to 5,000 psi 6000 0 psi to 6,000 psi 7500 0 psi to 7,500 psi 10000 0 psi to 10,000 psi 15000 0 psi to 15,000 psi -1 -1 bar to 0 bar 1 0 bar to 1 bar 1.6 0 bar to 1.6 bar 2.5 0 bar to 2.5 bar 4 0 bar to 4 bar 6 0 bar to 6 bar	10 0 bar to 10 bar 16 0 bar to 16 bar 25 0 bar to 25 bar 40 0 bar to 40 bar 60 0 bar to 60 bar 100 0 bar to 100 bar 160 0 bar to 160 bar 250 0 bar to 250 bar 400 0 bar to 400 bar 600 0 bar to 600 bar 1000 0 bar to 1,000 bar
SCALE OPTIONS	psi psi single scale psi/bar psi/bar dual scale	psi/kg/cm² psi/kg/cm ² dual scale	bar/psi bar/psi dual scale	psi/kPa psi/kPa dual scale
CONNECTION SIZES	1/8 1/8" NPT	1/4 1/4" NPT	1/2 1/2" NPT	SST SAE J1926-3.7/16-20 Adjustable *
OPTIONS	PMC Steel Panel Mount Clamp SPMC 304SS Panel Mount Clamp SSBU Stainless Steel Bezel & U-clamp SSB Stainless Steel Bezel SSCR 304SS Cover Ring	AP Adjustable Pointer MIP Maximum Indicating Pointer SP Red Set Pointer SG Safety Glass Lens BLFF Black Front Flange	SSFF 304SS Front Flange SSRF 304SS Rear Flange LM Laser Marking ST Stainless Steel Tagging	BP3 Brass Press Fit Orifice 0.3 mm BT5 Brass Threaded Orifice 0.5 mm BT8 Brass Threaded Orifice 0.8 mm

Please consult your local NOSHOK Distributor or NOSHOK, Inc. for availability and delivery information.

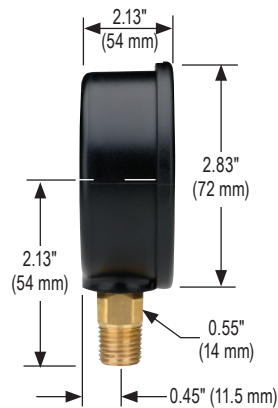
NOTE: Refer to 900 Series Options & Accessories chart on page 53 for availability by series number.

* Includes FKM o-ring

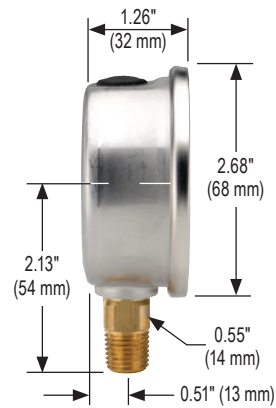
EXAMPLE



25-900

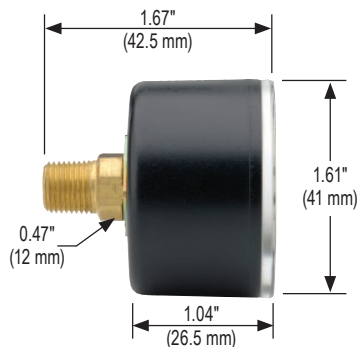


25-901

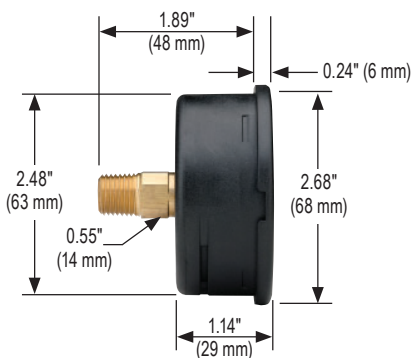


Dimensions

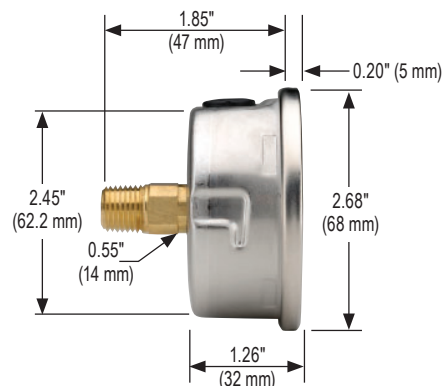
15-910



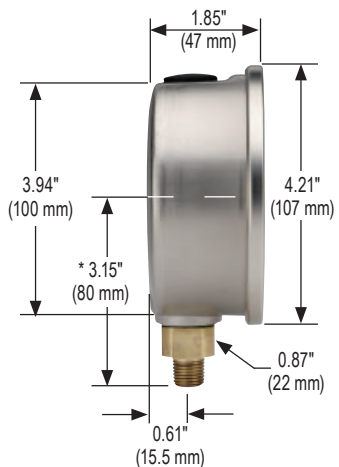
25-910



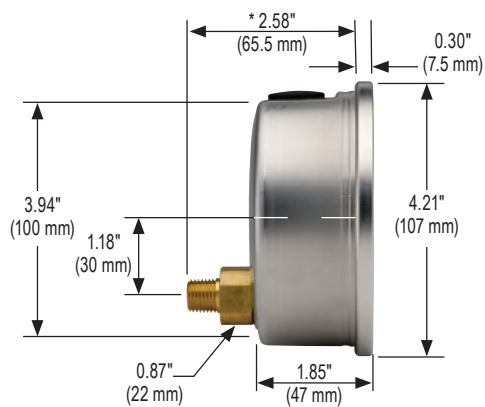
25-911



40-901



40-911

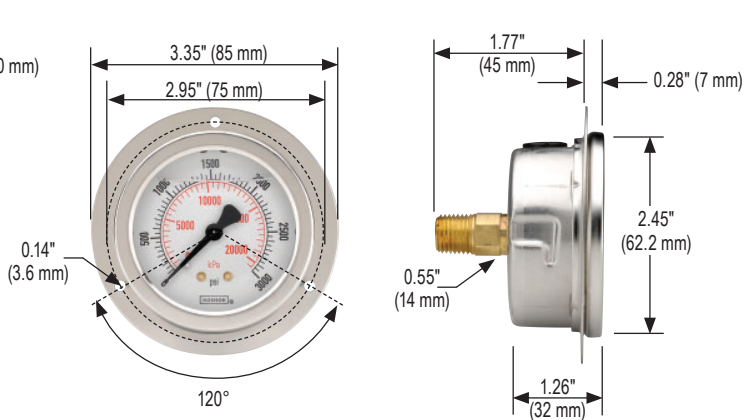


* 1/4" NPT shown
Add 6 mm for 1/2" NPT

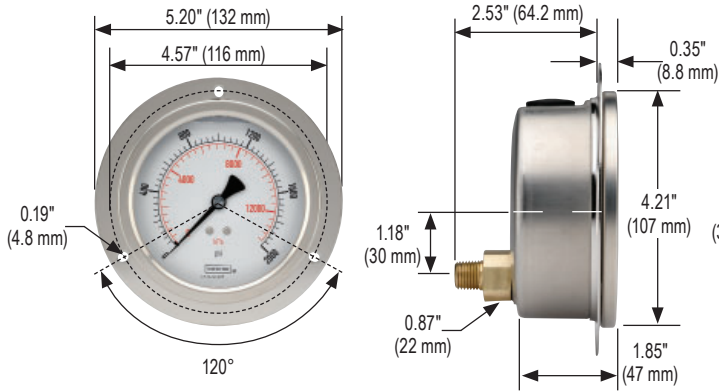
25-910 Front Flange



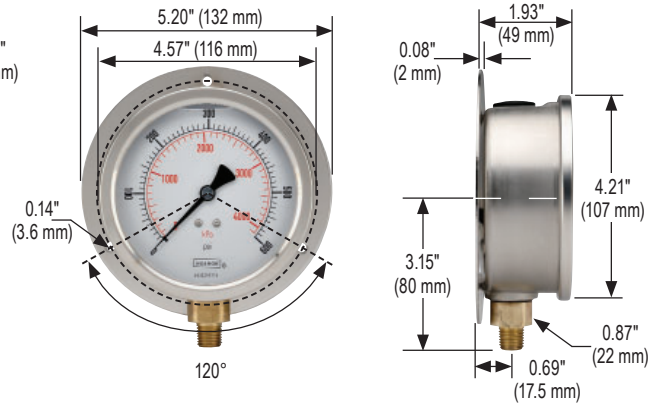
25-911 Front Flange



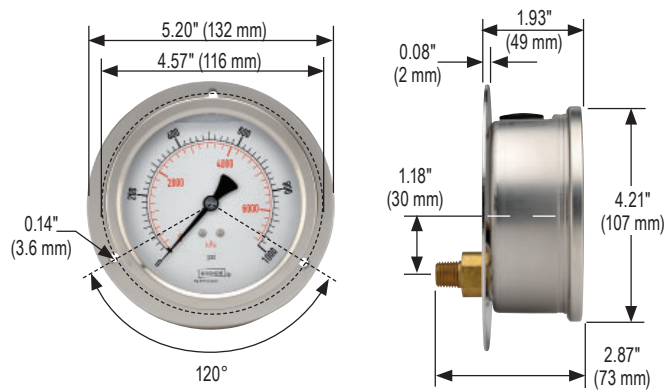
40-911 Front Flange



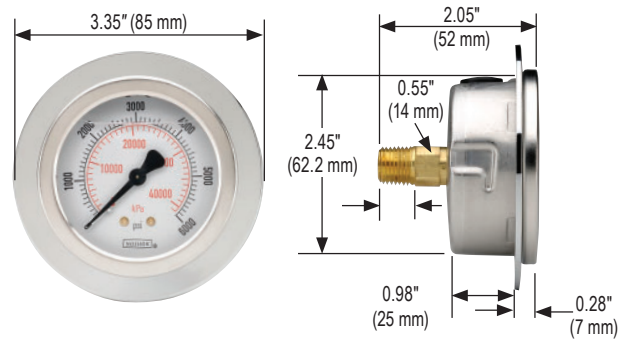
40-901 Rear Flange



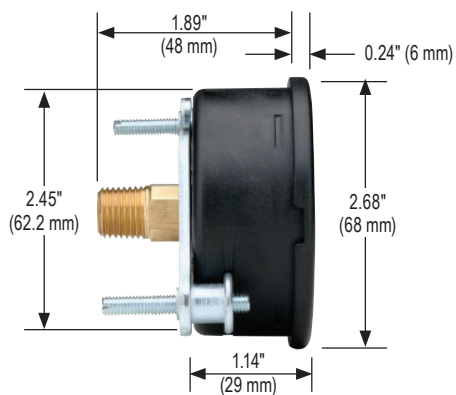
40-911 Rear Flange



25-911 Flange Ring



25-910 Panel Mount Clamp



25-911 Panel Mount Clamp

